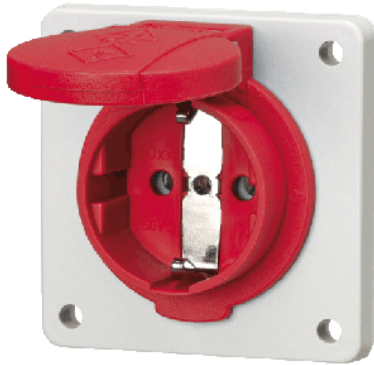
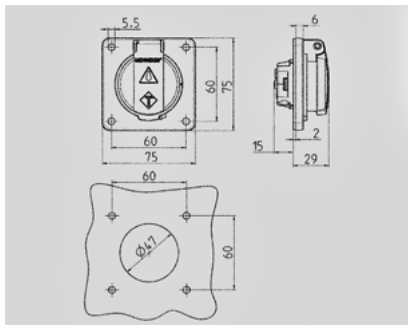


**Panel mounted receptacle SCHUKO® - Part no. 11013F**

- for stationary use
- with hinged lid
- also suitable for cable ducts and flush mounted installation boxes
- 3 plug-in terminals as connecting terminals for 1.5 – 2.5 mm<sup>2</sup>

## Technical information

Ampere	16 A
Poles	2 p+E
Voltage	230V
Shutter	no
Connection technology	Plug-in terminals
Contact	standard
Protection type	IP 54

Drawing  
1 MB 593

Dim. in mm