

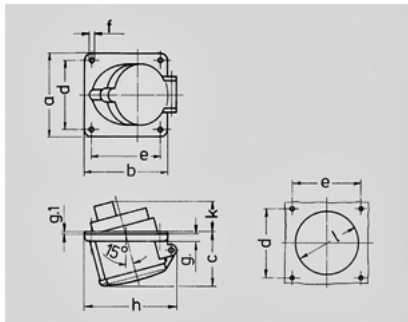
Panel mounted receptacle - Part no. 1285

- screw terminals
- for horizontal installation
- 15° inclination



Technical information

Ampere	16 A
Poles	5 p
Voltage	400V
Earth position	6 h
Hertz	50-60 Hz
Connection technology	Screw terminals
Contact	standard
Protection type	IP 44



Drawing 1 MB 230	Amp. Poles	16			32		
		3	4	5	3	4	5
Dim. in mm	a	85	85	85	85	85	85
	b	85	85	85	85	85	85
	c	55	55	56	60	60	60
	d	70	70	70	70	70	70
	e	70	70	70	70	70	70
	f	5,5	5,5	5,5	5,5	5,5	5,5
	g	8	8	8	8	8	8
	g.1	2	2	2	2	2	2
	h	88	93	94	96	96	98
	k	30	30	30	44	44	44
	l	55	60	70	70	70	76
	Terminal for cond. cross section (mm²) min.-max.	1,5	1,5	1,5	2,5	2,5	2,5
		-4	-4	-4	-10	-10	-10