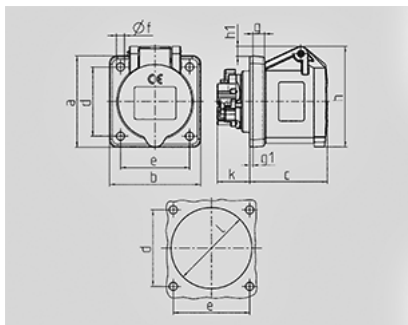


Panel mounted receptacle - Part no. 1353


- screwless spring terminals
- suitable for through wiring
- straight

Technical information	
Ampere	16 A
Poles	4 p
Voltage	400V
Earth position	6 h
Hertz	50-60 Hz
Connection technology	Screwless - TwinCONTACT
Contact	standard
Protection type	IP 44



Drawing 1 MB 649	Amp. Poles	16		
		3	4	5
Dim. in mm	a	62	72	72
	b	62	65	65
	c	54	54	54
	d	47	52	52
	e	47	52	52
	f	5,5	5,5	5,5
	g	8	8	8
	g1	2	2	2
	h	68	77	85
	h1	7	7	11
	k	23	23	23
	l	50	52	57
Terminal for cond. cross section (mm²) min.-max.		1,5	1,5	1,5
		-4	-4	-4