

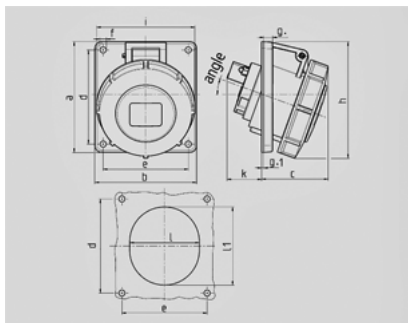
## Panel mounted receptacle - Part no. 1481



- screw terminals
- 20° inclination
- 32A receptacles optional fitted with auxiliary contact

## Technical information

Ampere	16 A
Poles	4 p
Voltage	>50-500V
Earth position	10 h
Hertz	100-300 Hz
Connection technology	Screw terminals
Contact	standard
Protection type	IP 67



Drawing 1 MB 251	Amp. Poles	16			32		
		3	4	5	3	4	5
Dim. in mm							
a		73,5	100	100	100	100	100
b		64	92	92	92	92	92
c		52	60	62	64	64	66
d		60	85	85	85	85	85
e		52	77	77	77	77	77
f		5,5	5,5	5,5	5,5	5,5	5,5
g		8	8	8	8	8	8
g.1		2	2	2	2	2	2
h		84	100	105	109	109	113
i		78	85	96	103	103	110
k		43	32	32	53	53	45
l		52	55	65	67	67	72
ll		60	63	72	82	82	85
o		20°	20°	20°	20°	20°	20°
Terminal for cond. cross section (mm²) min.-max.		1,5	1,5	1,5	2,5	2,5	2,5
		-4	-4	-4	-10	-10	-10