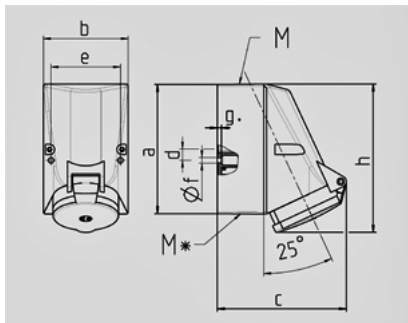


Wall mounted receptacle with TwinCONTACT - Part no. 1759


- screwless spring terminals
- suitable for through wiring
- internal fixing
- enclosure base can be turned 180°
- receptacles are designed for adding an auxiliary contact switch

| Technical information | |
|-----------------------|-------------------------|
| Ampere | 16 A |
| Poles | 5 p |
| Voltage | >50-500V |
| Earth position | 2 h |
| Hertz | >300-500 Hz |
| Connection technology | Screwless - TwinCONTACT |
| Contact | standard |
| Protection type | IP 44 |



| Drawing 1 MB 43 | Amp. Poles | 16 | | 32 | | |
|--------------------|--|----------------------------|-----|----------------------------|-------|-------|
| | | 4 | 5 | 3 | 4 | 5 |
| Dim. in mm | a | 128 | 128 | 128 | 128 | 128 |
| | b | 84 | 84 | 84 | 84 | 84 |
| | c | 122 | 124 | 136 | 136 | 138 |
| | d | 11 | 11 | 11 | 11 | 11 |
| | e | 68 | 68 | 68 | 68 | 68 |
| | f | 5,3 | 5,3 | 5,3 | 5,3 | 5,3 |
| | g | 4 | 4 | 4 | 4 | 4 |
| | h | 144 | 145 | 158 | 158 | 160 |
| | M | 25 | 25 | 32 | 32 | 32 |
| | M* | 2x25 (blind) to be cut out | | 2x25 (blind) to be cut out | | |
| | Max. cable diam. (mm) | 18 | 18 | 18/25 | 18/25 | 18/25 |
| | Terminal for cond. cross section (mm²) min.-max. | 1,5 | 1,5 | 2,5 | 2,5 | 2,5 |
| | | -4 | -4 | -10 | -10 | -10 |