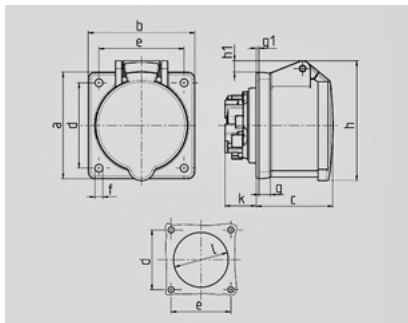


Panel mounted receptacle with TwinCONTACT - Part no. 1788


- screwless spring terminals
- suitable for through wiring
- straight

Technical information

Ampere	32 A
Poles	3 p
Voltage	400V
Earth position	9 h
Hertz	50-60 Hz
Connection technology	Screwless - TwinCONTACT
Contact	standard
Protection type	IP 44



Drawing 1 MB 464	Amp. Poles	16			32		
		3	4	5	3	4	5
Dim. in mm	a	75	75	75	75	75	75
	b	75	75	75	75	75	75
	c	53	53	54	64	64	64
	d	60	60	60	60	60	60
	e	60	60	60	60	60	60
	f	5,5	5,5	5,5	5,5	5,5	5,5
	g.	8	8	8	8	8	8
	g.1	2	2	2	2	2	2
	h	75	80	85	89	89	95
	h1		6	9	10	10	12
	k	22	22	22	28	28	38
	l	43	52	57	60	60	65
	Terminal for cond. cross section (mm ²) min.-max.	1,5	1,5	1,5	2,5	2,5	2,5
		-4	-4	-4	-6	-6	-6