

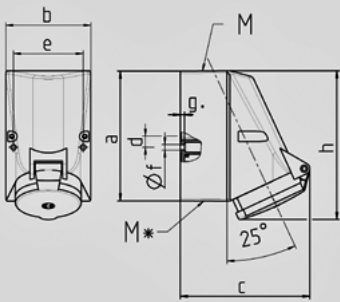
Receptacle - Part no. 20162A



- screw terminals
- highly heat resistant contact carrier
- nickel plated contacts
- internal fixing
- enclosure base can be turned 180°

Technical information

Ampere	32 A
Poles	5 p
Voltage	400V
Earth position	6 h
Hertz	50-60 Hz
Connection technology	Screw terminals
Contact	nickel plated contacts, highly heat resistant contact carrier
Protection type	IP 44



1 MB 209 1 MB 43	Amp. Poles	16			32		
		3	4	5	3	4	5
Dim. in mm	a	87	128	128	128	128	128
	b	64	84	84	84	84	84
	c	99	122	124	136	136	138
	d	40	11	11	11	11	11
	e	50	68	68	68	68	68
	f	4,5	5,3	5,3	5,3	5,3	5,3
	g	4	4	4	4	4	4
	h	115	144	145	158	158	160
	M	20	25	25	32	32	32
	M*	M 20 2xM25 (blind) to be cut out			2xM25 (blind) to be cut out		
Max. cable diam. (mm)		15	18	18	18/25	18/25	18/25
Terminal for cond. cross section (mm²) min.-max.		1,5	1,5	1,5	2,5	2,5	2,5
		-4	-4	-4	-10	-10	-10