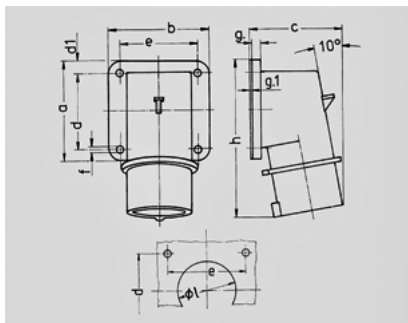


Panel mounted inlet - Part no. 385

- screw terminals



Technical information	
Ampere	32 A
Poles	4 p
Voltage	400V
Earth position	6 h
Hertz	50-60 Hz
Connection technology	Screw terminals
Contact	standard
Protection type	IP 44



Drawing 2 MB 73	Amp. Poles	16		32		
		4	5	3	4	5
Dim. in mm	a	85	85	75	75	75
	b	85	85	90	90	90
	c	75	79	87	87	90
	d	64	64	45	45	45
	d1	10	10	13	13	13
	e	64	64	78	78	78
	f	5,5	5,5	5,5	5,5	5,5
	g	6	6	6	6	6
	g.1	2	2	2	2	2
	h	129	129	137	137	138
	l	50	50	55	55	55
	Terminal for cond. cross section (mm ²) min.-max.	1	1	2,5	2,5	2,5
		-2,5	-2,5	-6	-6	-6