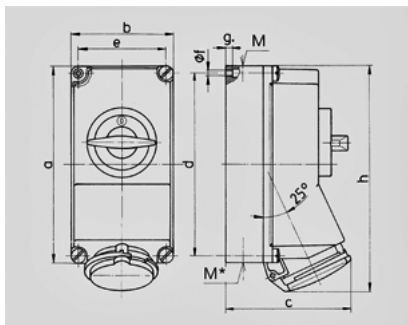


Wall mounted receptacle - Part no. 5683


- screw terminals
- switched
- mechanical DUO-interlock
- highly heat resistant contact carrier
- nickel plated contacts
- 6 pole switch with 2 auxiliary contacts (1 NO and 1 NC)
- receptacles can be padlocked

Technical information

Ampere	32 A
Poles	7 p
Voltage	500V
Earth position	7 h
Hertz	50-60 Hz
Connection technology	Screw terminals
Contact	standard
Protection type	IP 44



Drawing 1 MB 383	Amp. Poles	16		32	
		7		7	
Dim. in mm	a	225	225	225	225
	b	118	118	118	118
	c	141	146	146	146
	d	208	208	208	208
	e	101	101	101	101
	f	6,3	6,3	6,3	6,3
	g	8	8	8	8
	h	254	264	264	264
	M	1x32 and 1x25	1x32 and 1x25	1x32 and 1x25	1x32 and 1x25
	M*	2x25	2x25	2x25	2x25
Max. cable diam. (mm)		25	25	25	25
Terminal for cond. cross section (mm²) min.-max.		1,5 - 4	1,5 - 4	2,5 - 10	2,5 - 10