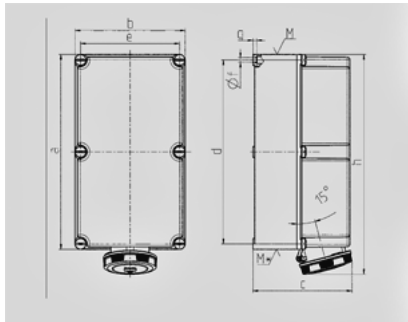


Wall mounted receptacle - Part no. 7028


- screw terminals
- TorsionSpringCONTACT
- contactor and electrical PCS interlock

Technical information

Ampere	125 A
Poles	4 p
Voltage	400V
Earth position	6 h
Hertz	50-60 Hz
Connection technology	Screw terminals
Contact	standard
Protection type	IP 67



Drawing 1 MB 163	Amp. Poles	125	
		4	5
Dim. in mm	a	460	460
	b	260	260
	c	234	234
	d	434	434
	e	234	234
	f	11	11
	g	9	9
	h	519	519
	M	63	63
	M*	2x63	2x63
Max. cable diam. (mm)		44	44
Terminal for cond. cross section (mm²) min.-max.		25 25	-70 -70