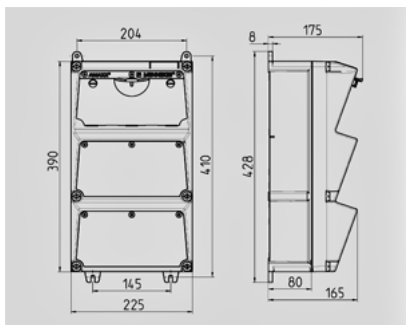


AMAXX® receptacle combination - Part no. 930026


- highly resistant to chemicals made of AMELAN®
- with highly heat resistant contact carrier and nickel plated contacts
- pre-wired for installation
- enclosure front cover grey RAL 7000
- hinged to the side
- fusing behind a transparent cover

Technical information	
Fitted with	6 SCHUKO® 16A, 230V
Fusing	1 RCD 40A, 4p, 0.03A 6 MCB's 16A, 1p, C
Pre-fuse max.	100 A
InA	29 A
RDF	0,9
Connection/feeder cable	for 2 cables up to 5 x 25 mm ²
Enclosure size	390 x 225 mm (H x W)
Protection type	IP 44


Drawing 1 MB 522

Depth dimensions at various fittings.

Receptacles	Degrees	Depth
SCHUKO®16A, 230 V	IP 44	175 mm
	IP 67	194 mm
CEE 16A, 3p, 230V	IP 44	204 mm
	IP 67	205 mm
CEE 16A, 5p, 400V	IP 44	209 mm
	IP 67	213 mm
CEE 32A, 5p, 400V	IP 44	221 mm
	IP 67	227 mm
CEE 63A, 5p, 400V	IP 44	248 mm
	IP 67	248 mm

Cable entries: closed for cut out. 2 x M 40 each on top and bottom, 2 x M 20 each on top and bottom for cut out.