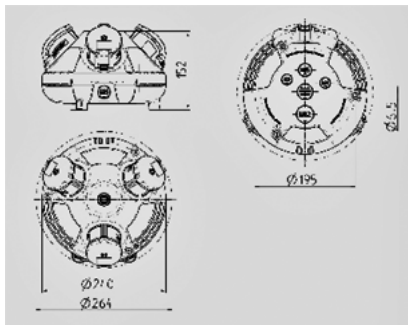


3KRAFT® - Part no. 94351SI

- pre-wired for installation
- back box in black
- hinged cover available in red (RO), yellow (GE) or silver (SI)
- enclosure and insert made of AMAPLAST

Technical information

Fitted with	3 SCHUKO® 16A, 230V
Connection/feeder cable	for 1 cable up to 3 x 6 mm ²
Protection type	IP 44

Drawing
1 MB 442

Dim. in mm