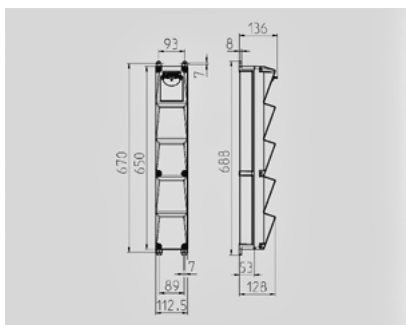


**AMAXX® s receptacle combination - Part no. 960001**


- pre-wired for installation
- enclosure and insert made of AMAPLAST
- fusing behind a transparent cover

Technical information	
Fitted with	3 SCHUKO® 16A, 230V
Fusing	1 RCD 40A, 4p, 0.03A 3 MCB's 16A, 1p, C
Pre-fuse max.	63 A
InA	16 A
RDF	1
Connection/feeder cable	for 1 cable up to 5 x 10 mm <sup>2</sup>
Enclosure size	650 x 112.5 mm (H x W)
Protection type	IP 44


**Drawing 1 MB 541**

Depth dimensions at various fittings.

Receptacles	Degrees	Depth
SCHUKO®16A, 230 V	IP 44	140 mm
	IP 67	157 mm
CEE 16A, 3p, 230V	IP 44	170 mm
	IP 67	169 mm
CEE 16A, 5p, 400V	IP 44	172 mm
	IP 67	174 mm
CEE 32A, 5p, 400V	IP 44	182 mm
	IP 67	188 mm

Cable entries: closed for cut out. 1 x M 25 on top and 1 x M 25 on bottom or 1 x M 32 on top and 1 x M 32 on bottom, additionally: 1 x M 20 on top and bottom to cut out.