

Discontinuation Notice of Cylindrical Photoelectric Sensor E3F2 series. (for China area only)

Product Discontinuation

Cylindrical photoelectric sensors



Model E3F2-LS10B4 2M
Model E3F2-R4B4-P1-E



Recommended Replacement

Cylindrical photoelectric sensors

Model E3FA-LP11 2M
Model E3FA-RP21

[Discontinuation date]

The end of March, 2014

[Caution on recommended replacement]

1. Reflector of E3FA-RP21 is sold separately.
2. When the pink wire is open, E3F2 operates in Light-ON mode, while E3FA operates in Dark-ON mode.

[Difference from discontinued product]

Recommended replacement Model	Body Color	Dimensions	Wire connection	Mounting Dimensions	Characteristics	Operation ratings	Operation methods
E3FA-[]	--	--	*	**	*	*	*

** : Compatible

* : The change is a little/Almost compatible

-- : Not compatible

- : No corresponding specification

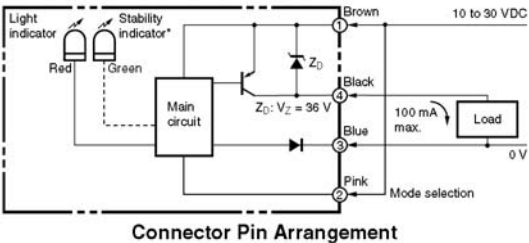

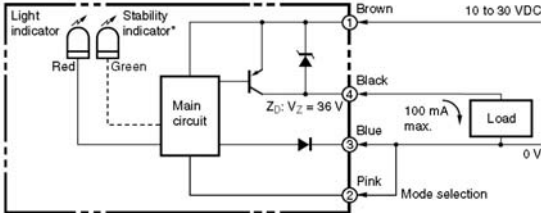

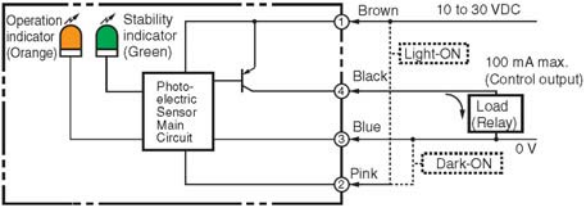
[Product Discontinuation and recommended replacement]

Product discontinuation Model E3F2 series	Recommendable replacement Model E3FA/E3FB series
E3F2-LS10B4 2M	E3FA-LP11 2M
E3F2-R4B4-P1-E	E3FA-RP21

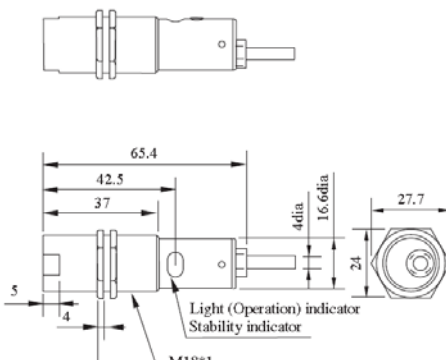
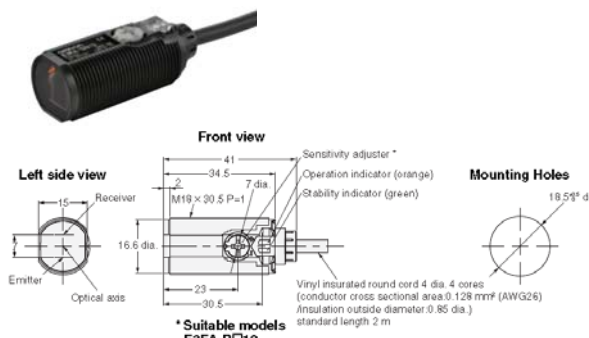
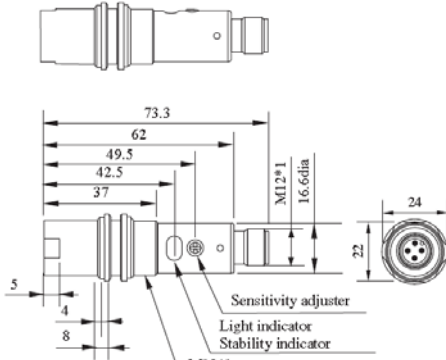
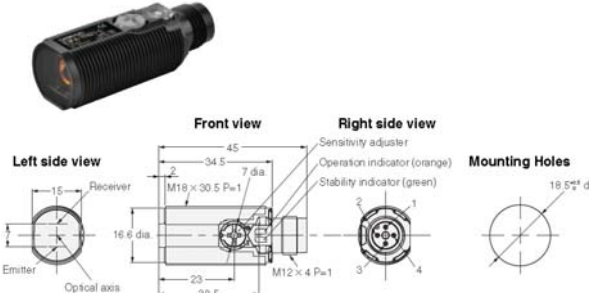
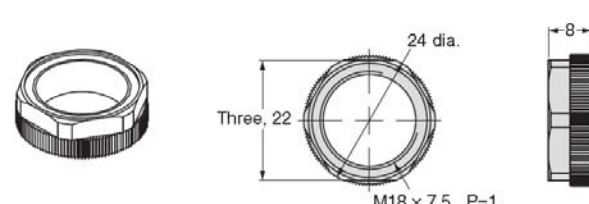
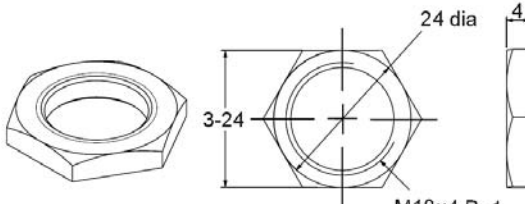
[Body color]

Product discontinuation Model E3F2 series	Recommendable replacement Model E3FA/E3FB series
Light gray	Black

[Wire connection]

<p align="center">Product discontinuation Model E3F2 series</p>	<p align="center">Recommendable replacement Model E3FA series</p>
<p>E3F2-LS10B4 2M E3F2-R4B4-P1-E</p> <p>Light-ON: Connect the pink (Pin(2)) and brown (Pin(1)) cords or open the pink cord (Pin(2)).</p>  <p align="center">Connector Pin Arrangement</p>  <p>Dark-ON: Connect the pink (Pin(2)) and blue (Pin(3)) cords.</p>  <p align="center">Connector Pin Arrangement</p> 	<p>E3FA-RP21 E3FA-LP11 2M</p> <p>Light-ON: Connect the pink wire (Pin(2)) to the brown (Pin(1))</p> <p>Dark-ON: Connect the pink wire (Pin(2)) to the blue (Pin(3)) or open the pink wire (Pin(2))</p> 

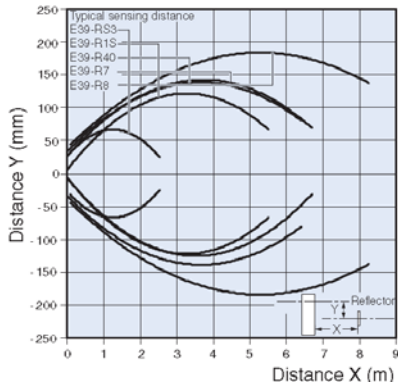
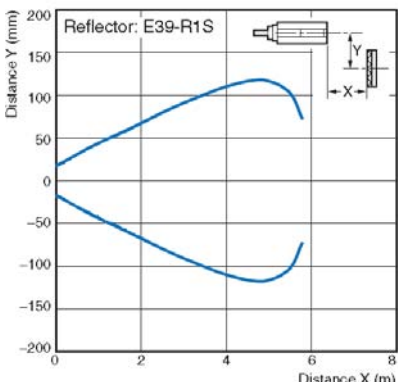
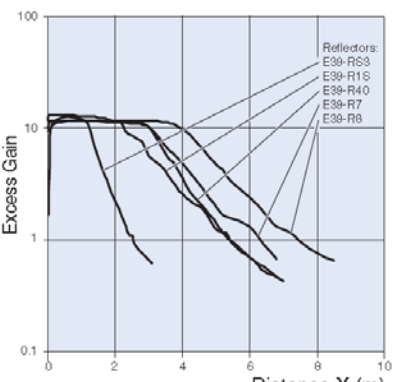
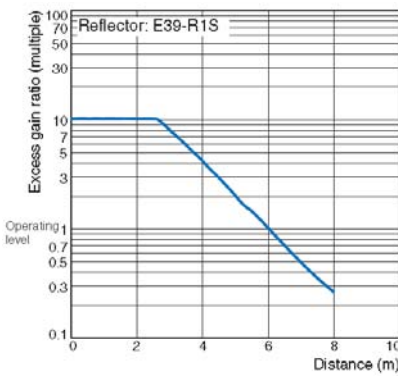
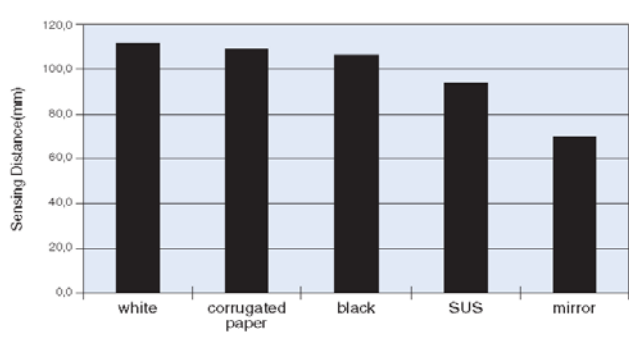
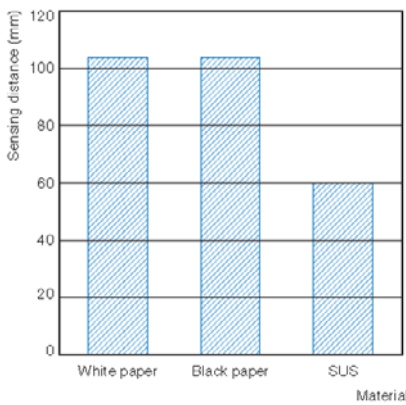
[Dimensions]

Product discontinuation Model E3F2 series	Recommendable replacement Model E3FA series										
<p>Sensor E3F2-LS10B4 2M</p>  <p>65.4 42.5 37 5 4 4 dia. 16.6 dia. 27.7 24 Light (Operation) indicator Stability indicator M18*1</p>	<p>E3FA-LP11 2M</p>  <p>Front view Left side view Receiver Emitter Optical axis Sensitivity adjuster * Operation indicator (orange) Stability indicator (green) Mounting Holes 18.5* dia. 41 34.5 7 dia. M18 x 30.5 P=1 16.6 dia. 23 30.5 Vinyl insulated round cord 4 dia. 4 cores (conductor cross sectional area 0.128 mm² (AWG26) Insulation outside diameter 0.85 dia.) standard length 2 m * Suitable models E3FA-R□12</p>										
<p>E3F2-R4B4-P1-E</p>  <p>73.3 62 49.5 42.5 37 5 4 8 M12*1 16.6 dia. 24 22 Sensitivity adjuster Light indicator Stability indicator M18*1</p>	<p>E3FA-RP21</p>  <p>Front view Left side view Receiver Emitter Optical axis Sensitivity adjuster Operation indicator (orange) Stability indicator (green) Mounting Holes 18.5* dia. 45 34.5 7 dia. M18 x 30.5 P=1 16.6 dia. 23 30.5 M12 x 4 P=1 1 2 3 4</p> <table border="1" data-bbox="1181 1153 1420 1243"> <thead> <tr> <th>Terminal No.</th> <th>Specification</th> </tr> </thead> <tbody> <tr> <td>1</td> <td>+V</td> </tr> <tr> <td>2</td> <td>L/on · D/on selectable</td> </tr> <tr> <td>3</td> <td>0V</td> </tr> <tr> <td>4</td> <td>Output</td> </tr> </tbody> </table>	Terminal No.	Specification	1	+V	2	L/on · D/on selectable	3	0V	4	Output
Terminal No.	Specification										
1	+V										
2	L/on · D/on selectable										
3	0V										
4	Output										
<p>Nut E3F2-□□□□</p>  <p>24 dia. Three, 22 M18 x 7.5 P=1 8</p>	<p>Nut E3FA-□□□□</p>  <p>24 dia. 3-24 M18x4 P=1 4</p>										

[Characteristics]

Item	Product discontinuation Model E3F2 series	Recommendable replacement Model E3FA series
Sensing distance	E3F2-LS10B4 2M 100 mm (100 × 100 mm white mat paper)	E3FA-LP11 2M 100 mm (white paper: 300 × 300 mm)
Standard sensing object	E3F2-R4B4-P1-E Opaque: 56 mm dia. min.	E3FA-RP21 Opaque: 75 mm dia. min.
Directional angle	E3F2-R4B4-P1-E 3° to 20°	E3FA-RP21 2° min.
Light source (wavelength)	Red LED (660 nm)	Red LED (624 nm)
Current consumption	30 mA max.	25 mA max.
Control output	PNP Transistor (open collector), load current: 100 mA max. (residual voltage: 2 V max.)	NPN/PNP (open collector) Load current: 100 mA max. (Residual voltage: 3 V max.), Load power supply voltage: 30 VDC max.
Different travel (hysteresis)	E3F2-LS10B4 2M 5% max.	E3FA-LP11 2M 20% max.
Response time	1.0 ms max.	0.5 ms
Sensitivity adjustment	E3F2-R4B4-P1-E Fixed/Adjustable	E3FA-RP21 One-turn adjuster
Degree of protection	IP67; NEMA 1, 2, 4; IP69k after DIN 40050 part 9	IEC: IP67, DIN 40050-9: IP69K *
Indicators	E3F2-R4B4-P1-E Light incident (red) Stability (green) E3F2-LS10B4 2M Output indicator (orange) Stability (green)	Operation indicator (orange) Stability indicator (green)
Circuit protection	Output short-circuit and power supply reverse polarity	Reversed power supply polarity protection, Output short-circuit protection and Reversed output polarity protection

[Operation ratings]

<p>Product discontinuation Model E3F2 series</p>	<p>Recommendable replacement Model E3FA series</p>
<p>Parallel Operating Range (Typical) Retroreflective Models E3F2-R4B4-P1-E</p> 	<p>Parallel Operating Range (Typical) Retroreflective Models E3FA-RP21</p> 
<p>Excess Gain Ratio vs. Set Distance (Typical) Retroreflective Models E3F2-R4B4-P1-E</p> 	<p>Excess Gain Ratio vs. Set Distance (Typical) Retroreflective Models E3FA-RP21</p> 
<p>Object material vs sensing distance Background suppression Models E3F2-LS10B4 2M</p> 	<p>Object material vs sensing distance Background suppression Models E3FA-LP11</p> 

Specifications and prices in this product news are as of the issue date and are subject to change without notice. Only main changes in specifications are described in this document. Please be sure to read the relevant catalogs, datasheets, product specifications, instructions, and manuals for precautions and necessary information when using products.